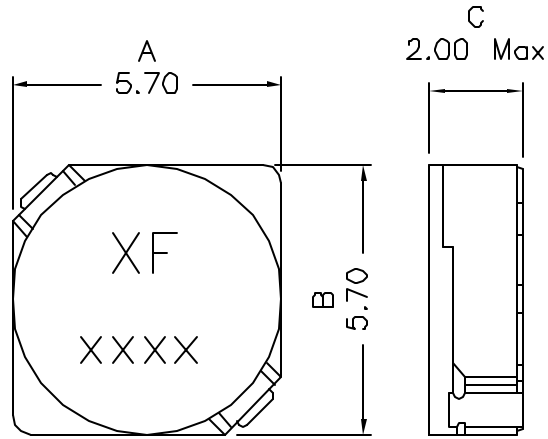
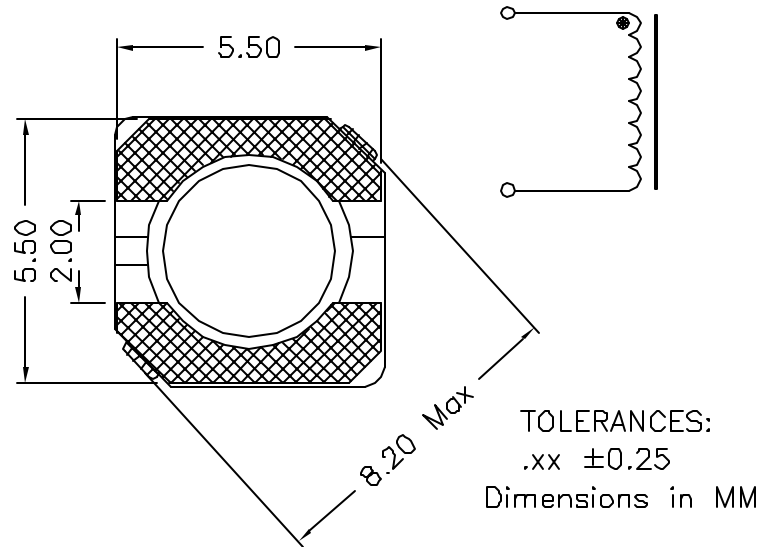


XFTPRH5D18-xxxx SERIES INDUCTORS

Mechanical Dimensions:



Schematic:



Part Number	Inductance (L)	Test Frequency (F)	DCR Max (OHM)	IDC (A) (Max)
XFTPRH5D18-4R1□	4.10uH	10KHz/0.1V	0.057	1.95
XFTPRH5D18-5R4□	5.40uH	10KHz/0.1V	0.076	1.60
XFTPRH5D18-6R2□	6.20uH	10KHz/0.1V	0.098	1.40
XFTPRH5D18-8R9□	8.90uH	10KHz/0.1V	0.118	1.25
XFTPRH5D18-100□	10.0uH	10KHz/0.1V	0.124	1.20
XFTPRH5D18-120□	12.0uH	10KHz/0.1V	0.153	1.10
XFTPRH5D18-150□	15.0uH	10KHz/0.1V	0.196	0.97
XFTPRH5D18-180□	18.0uH	10KHz/0.1V	0.210	0.85
XFTPRH5D18-220□	22.0uH	10KHz/0.1V	0.290	0.80
XFTPRH5D18-270□	27.0uH	10KHz/0.1V	0.330	0.75
XFTPRH5D18-330□	33.0uH	10KHz/0.1V	0.386	0.65
XFTPRH5D18-390□	39.0uH	10KHz/0.1V	0.520	0.57
XFTPRH5D18-470□	47.0uH	10KHz/0.1V	0.595	0.54
XFTPRH5D18-560□	56.0uH	10KHz/0.1V	0.665	0.50
XFTPRH5D18-680□	68.0uH	10KHz/0.1V	0.840	0.43
XFTPRH5D18-820□	82.0uH	10KHz/0.1V	0.887	0.41
XFTPRH5D18-101□	100.0uH	10KHz/0.1V	1.200	0.36

(1) Inductance drop = 30% typ at rated Isat.

(2) □ Please specify inductance tolerance (K ±10%, L ±15%, M ±20%, N ±30%)

(3) Tape & Reel Packaging Standard, 3000 Pcs per 13" Reel